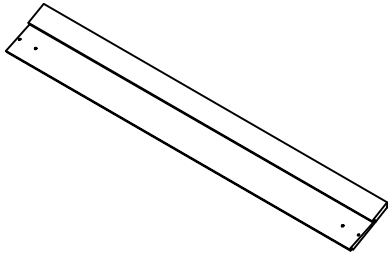
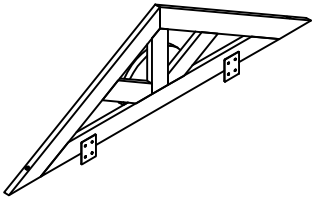
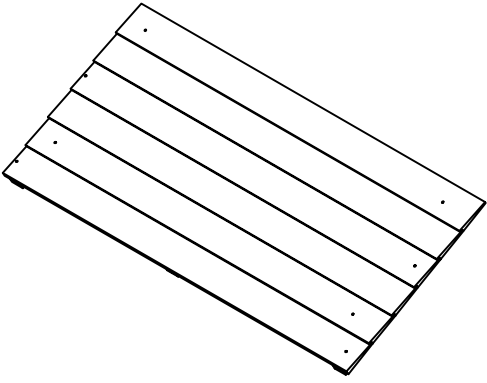
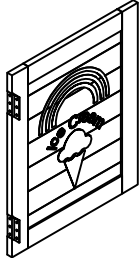
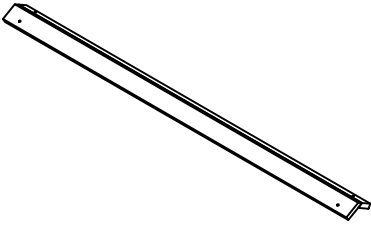
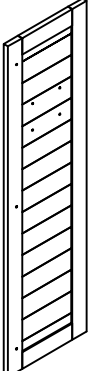
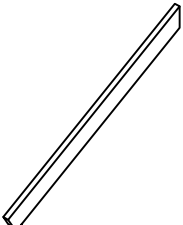
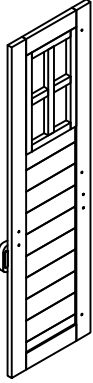
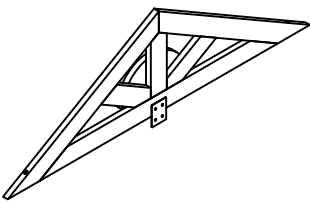

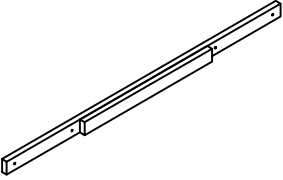
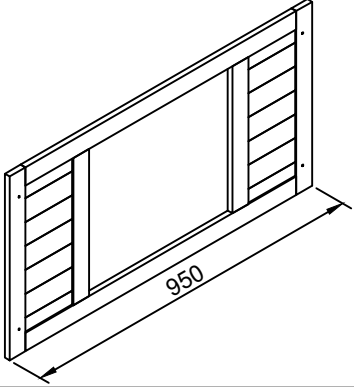
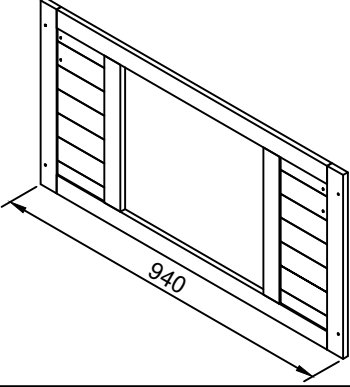
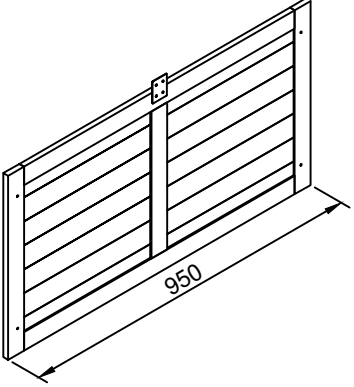
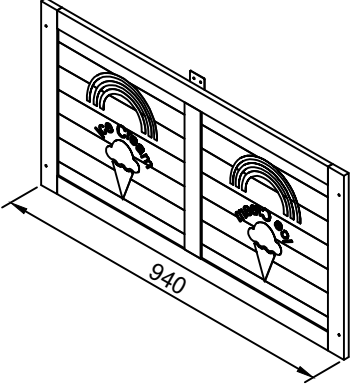
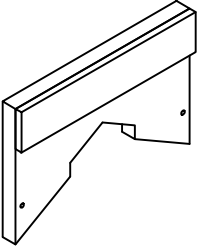
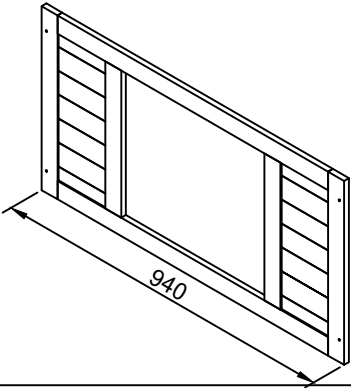
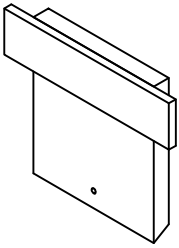
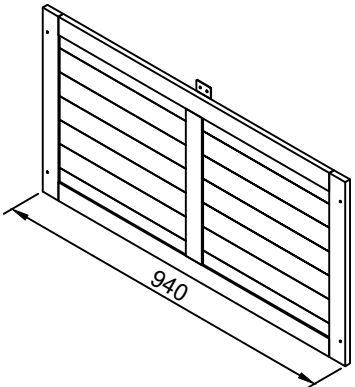
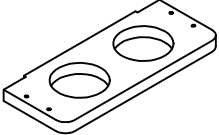


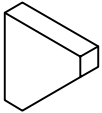
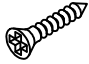
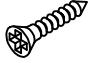
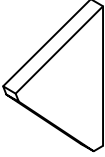


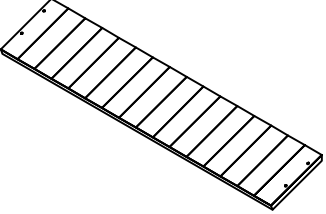
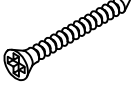
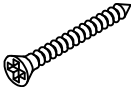
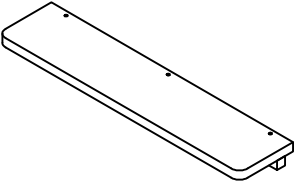

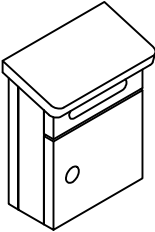
Kinderhuisje Icecream

ART. NR. 7850007

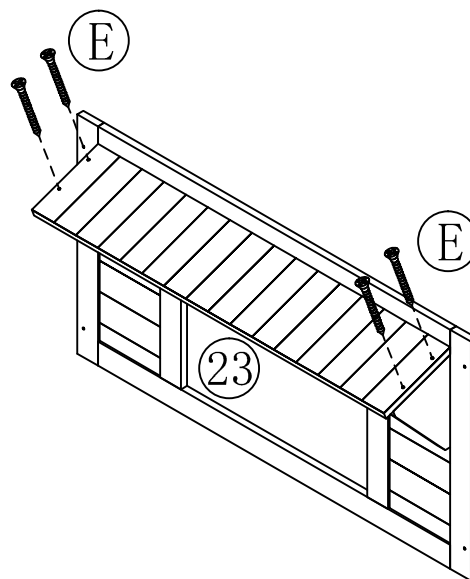
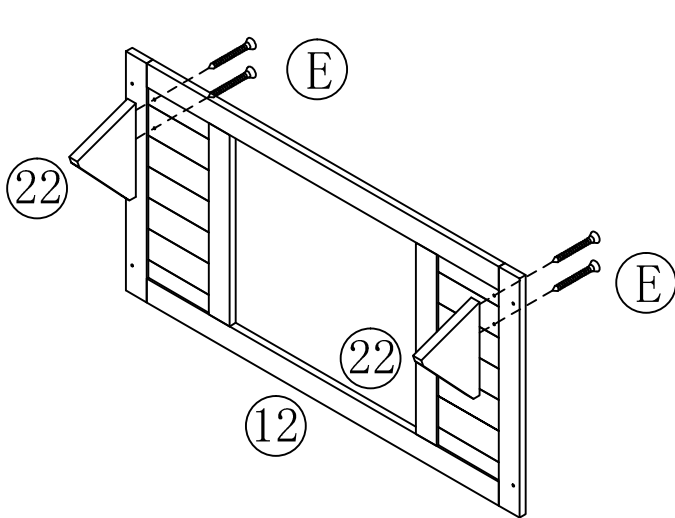
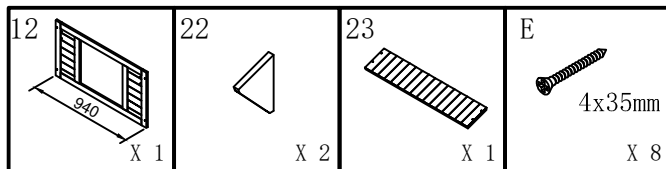


1		2PCS	6		1PC
2		2PCS	7		1PC
3		1PC	8		1PC
4		4PCS	9		1PC
5		1PC	10		4PCS

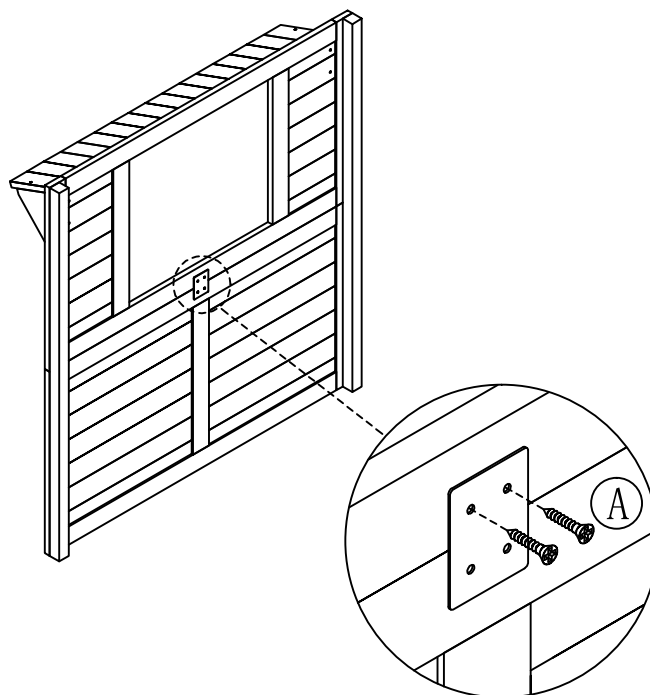
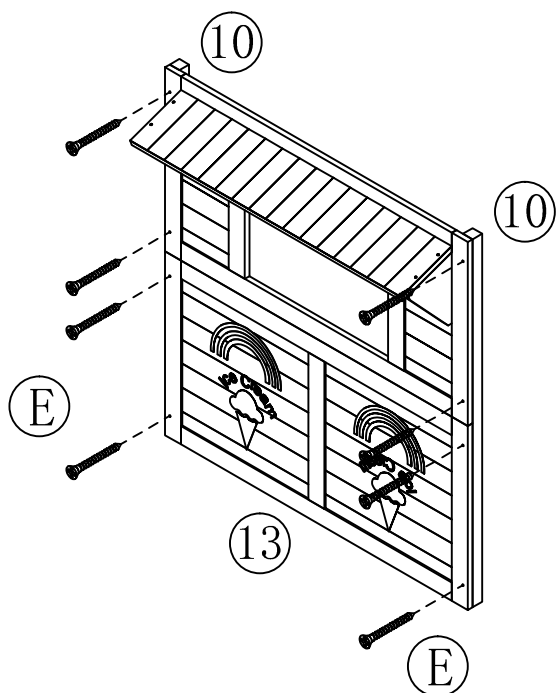
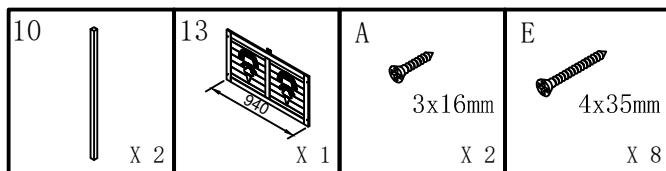
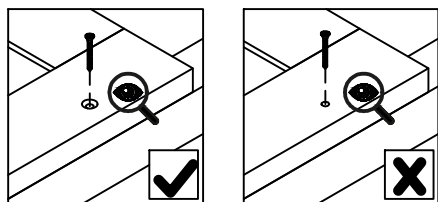
11		1PC	16		1PC
12		1PC	17		1PC
13		1PC	18		2PCS
14		1PC	19		2PCS
15		1PC	20		1PC

21		2PCS	A	 3x12mm	18PCS
			B	 3x20mm	4PCS
22		2PCS	C	 3x25mm	34PCS
			D	 3x30mm	23PCS
23		1PC	E	 4x35mm	38PCS
			F	 4x50mm	4PCS
24		3PCS	G		2PCS
25		1PC			

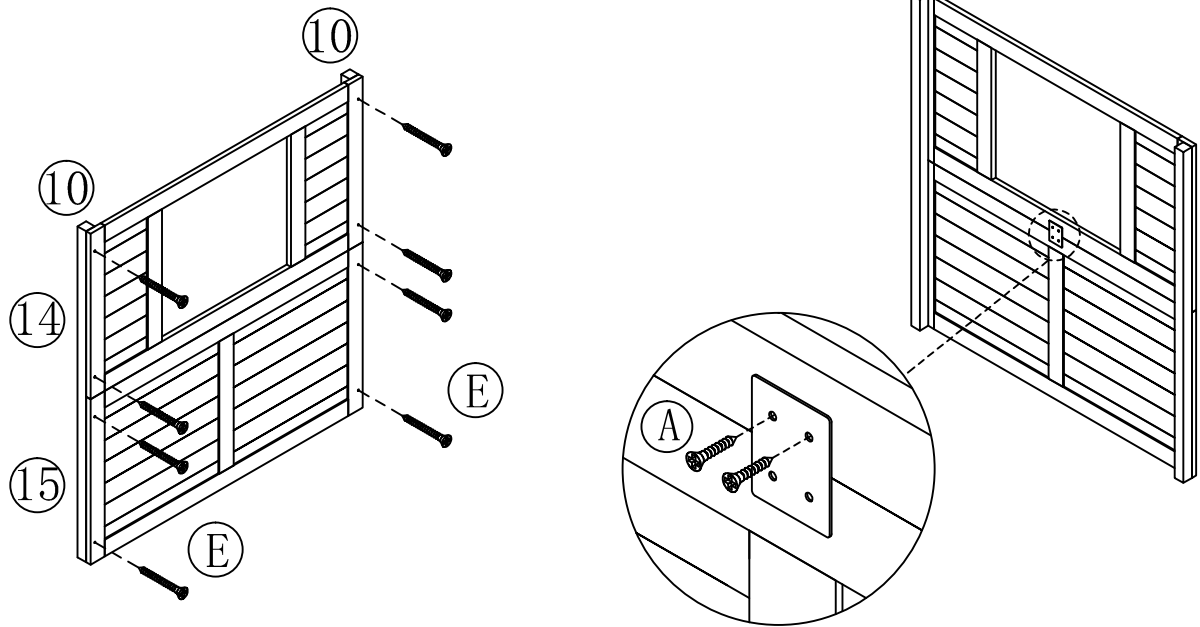
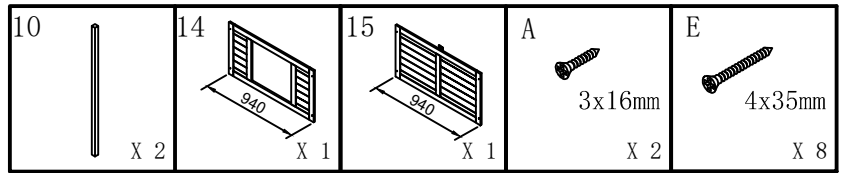
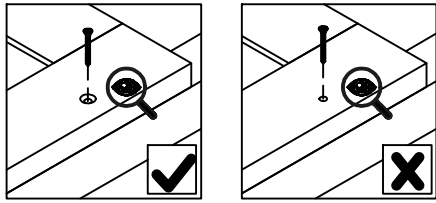
1



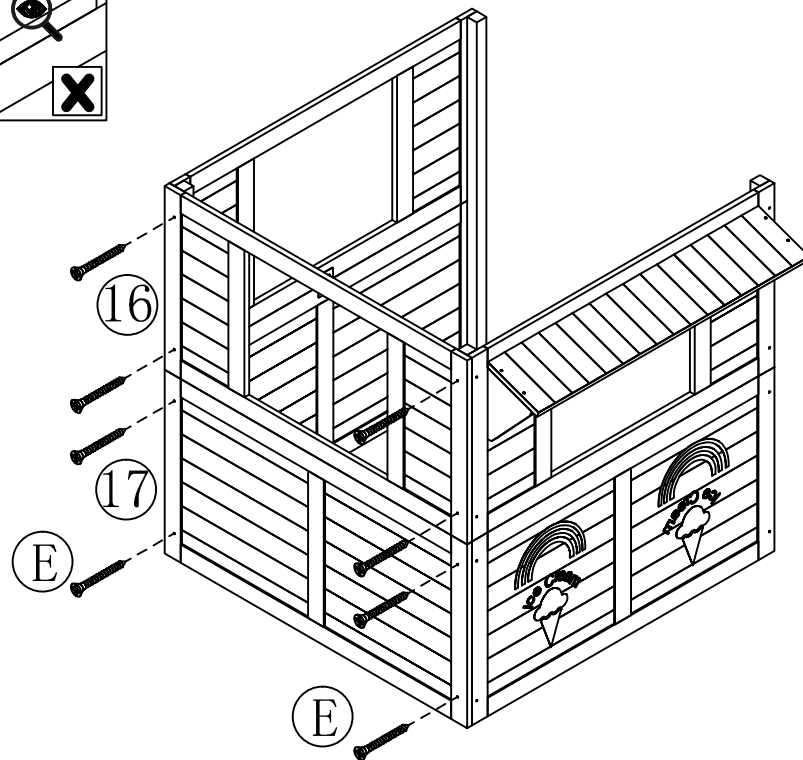
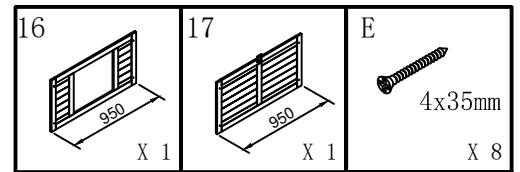
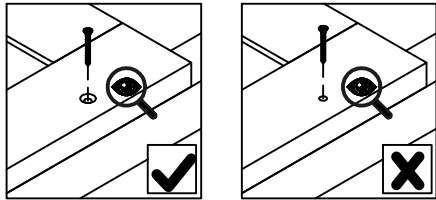
2






3

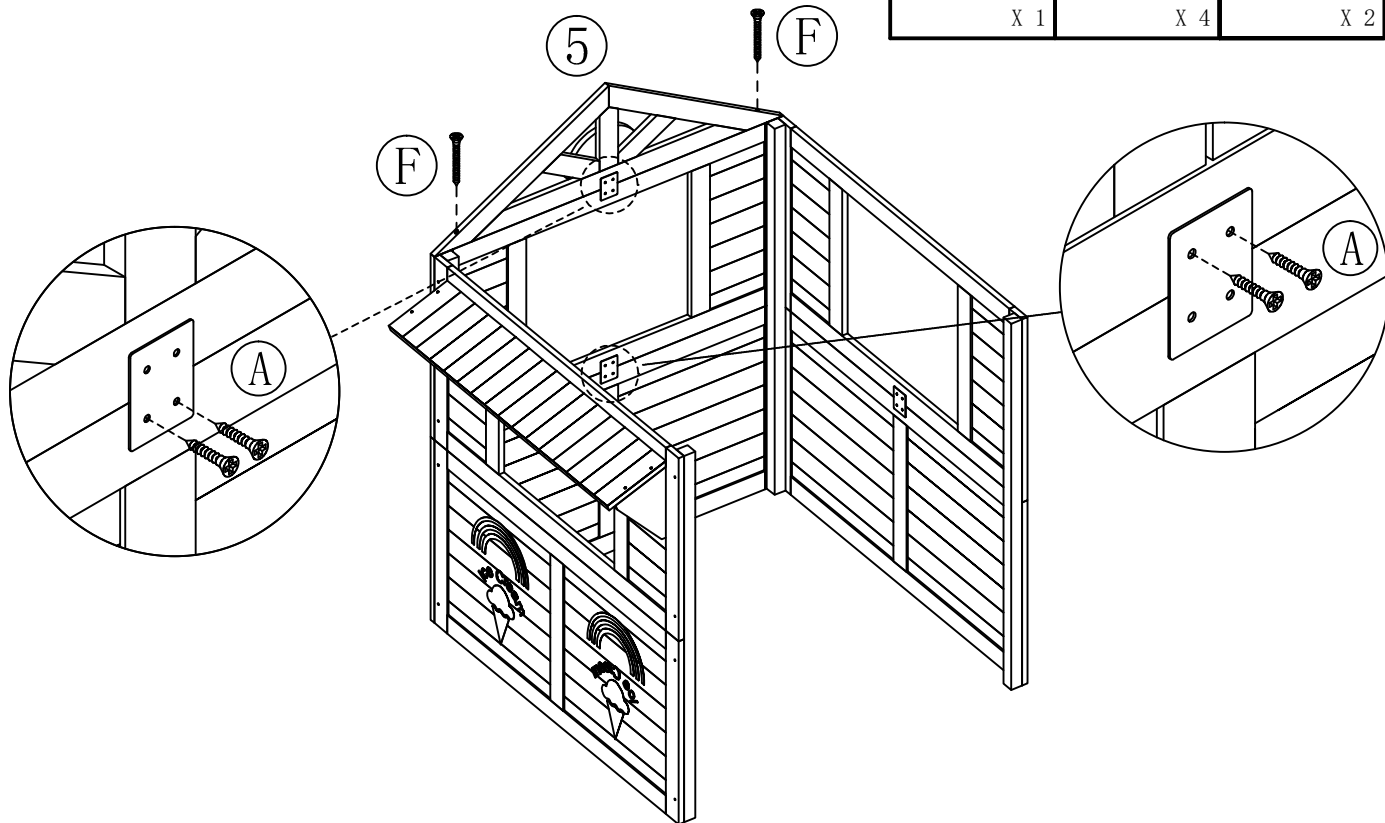


4






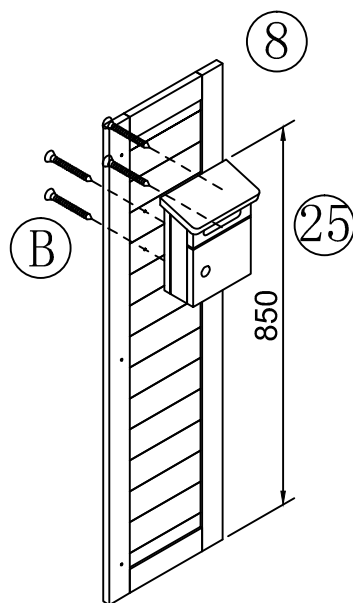
5

5  X 1	A  3x16mm X 4	F  4x50mm X 2
-------------------------------------------------------------------------------------------------	-----------------------------------------------------------------------------------------------------------	-----------------------------------------------------------------------------------------------------------



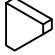



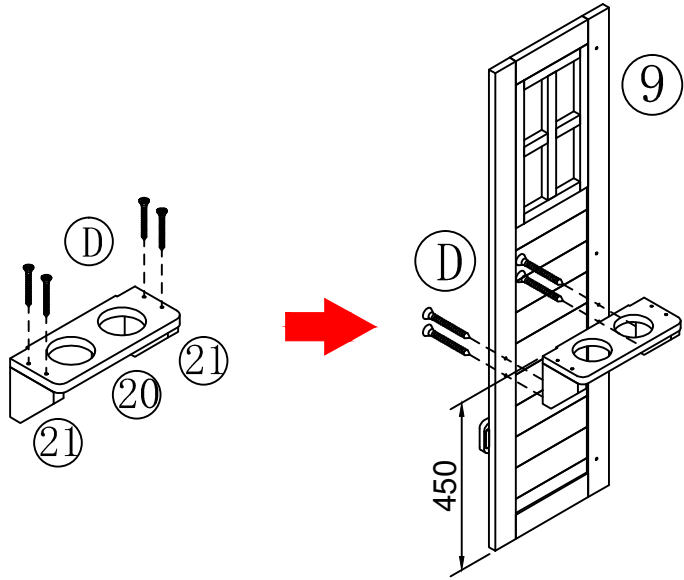
6

8  X 1	25  X 1	B  3x20mm X 4
---------------------------------------------------------------------------------------------------	----------------------------------------------------------------------------------------------------	-------------------------------------------------------------------------------------------------------------




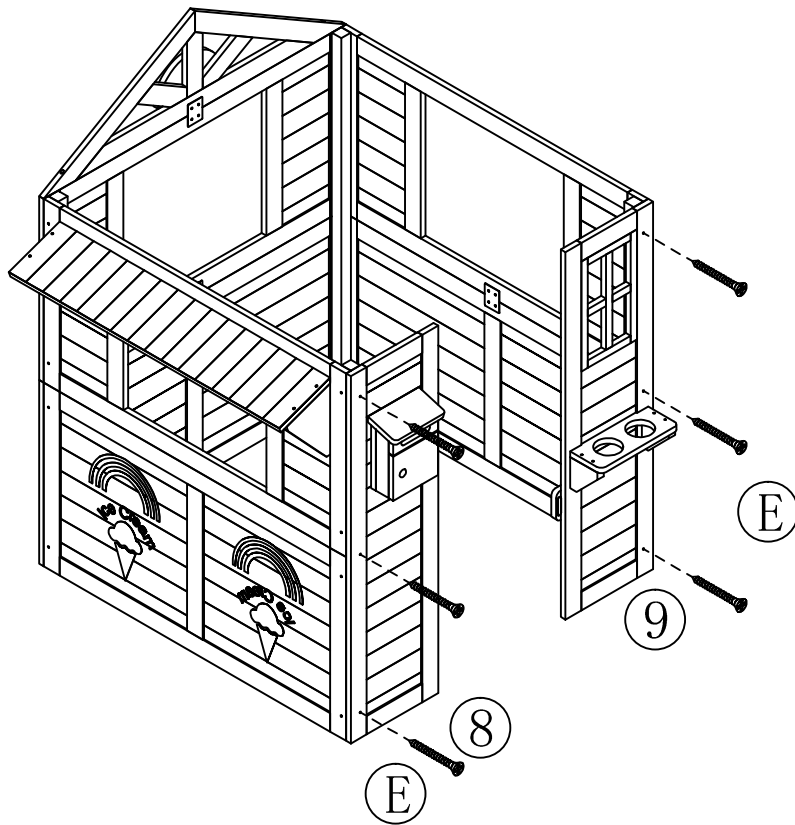
7

9	20	21	D
			
X 1	X 1	X 2	X 8

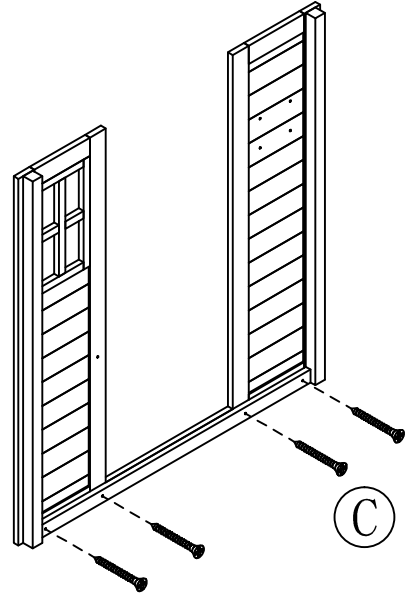
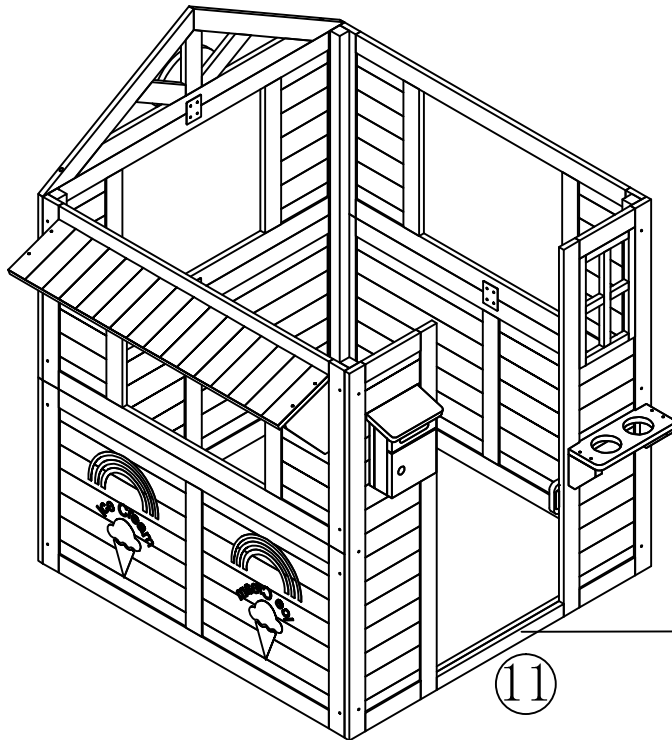
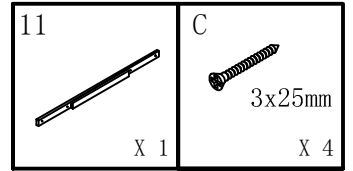


8

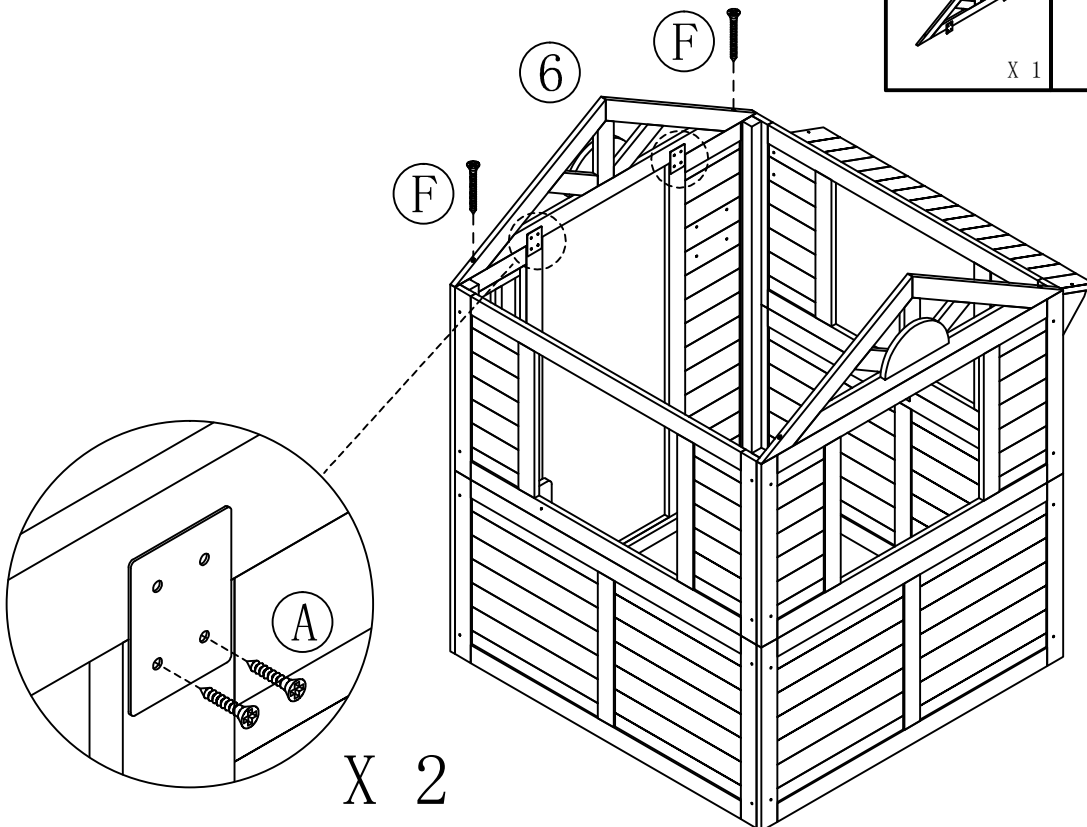
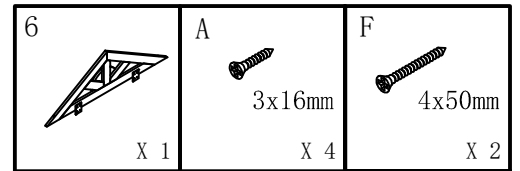
E

X 6



9

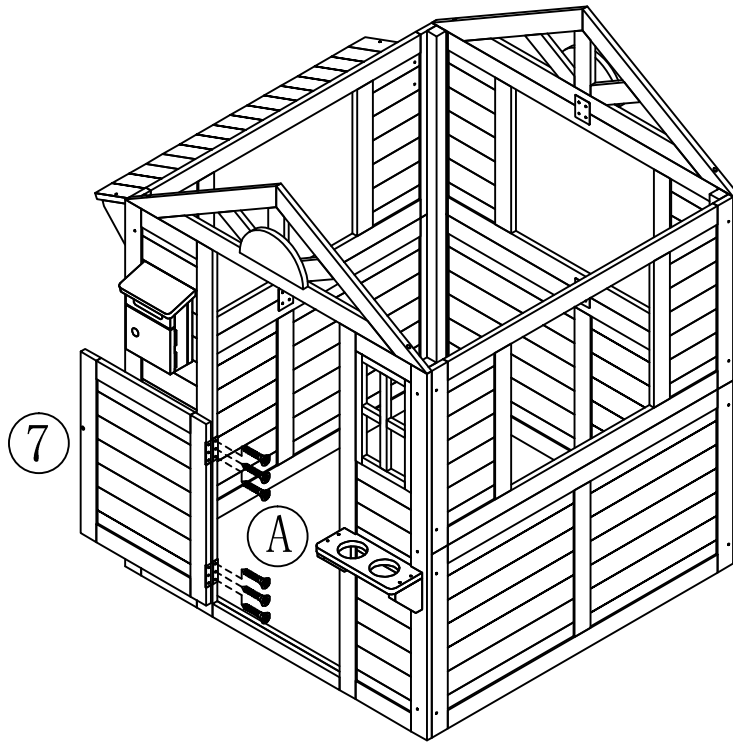
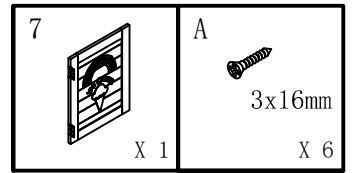


10

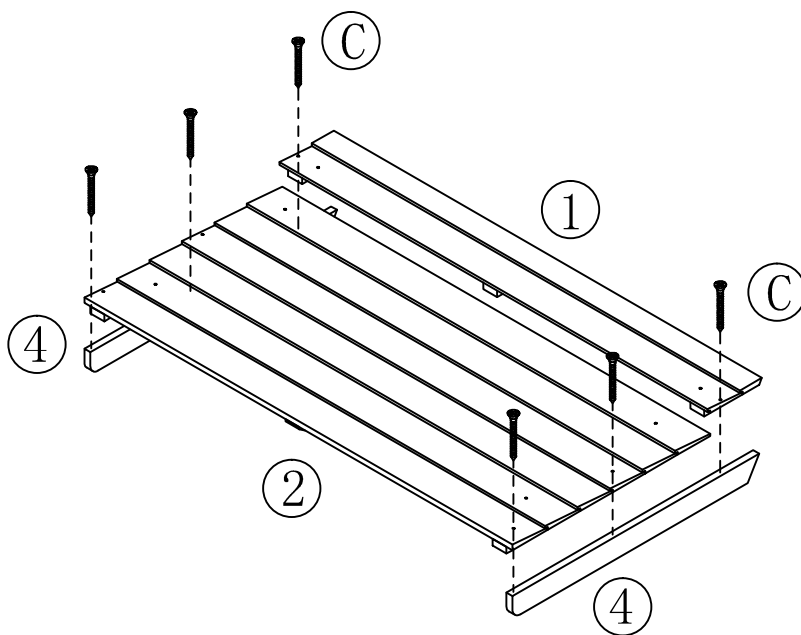
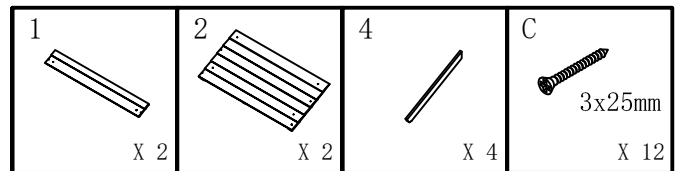


X 2

11

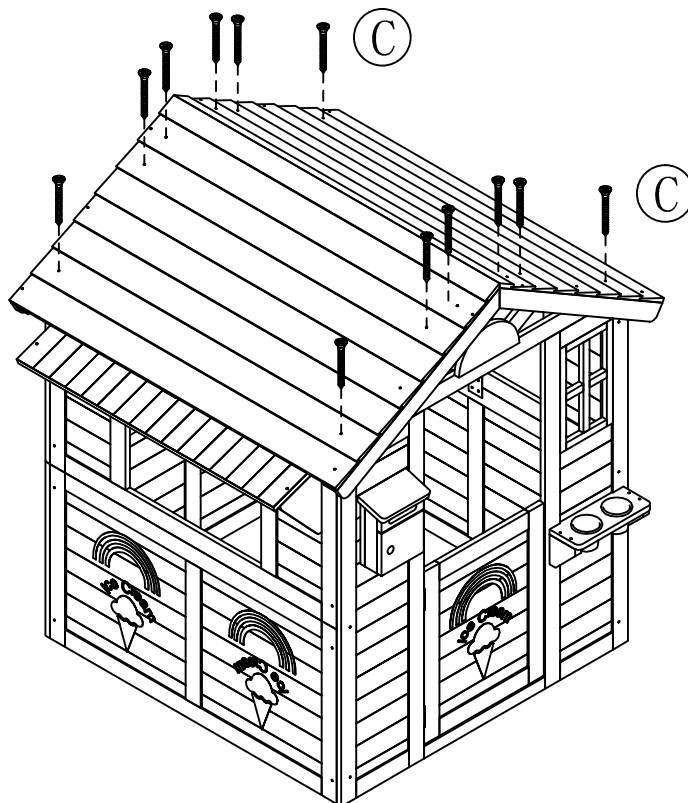
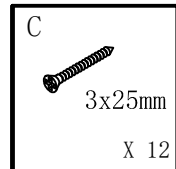


12

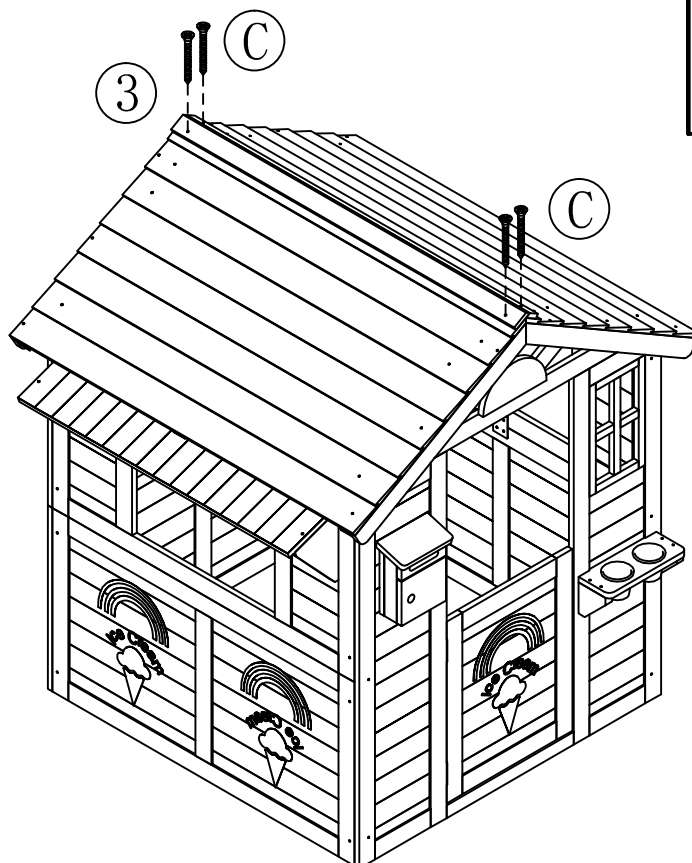
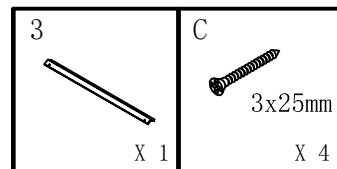


X 2

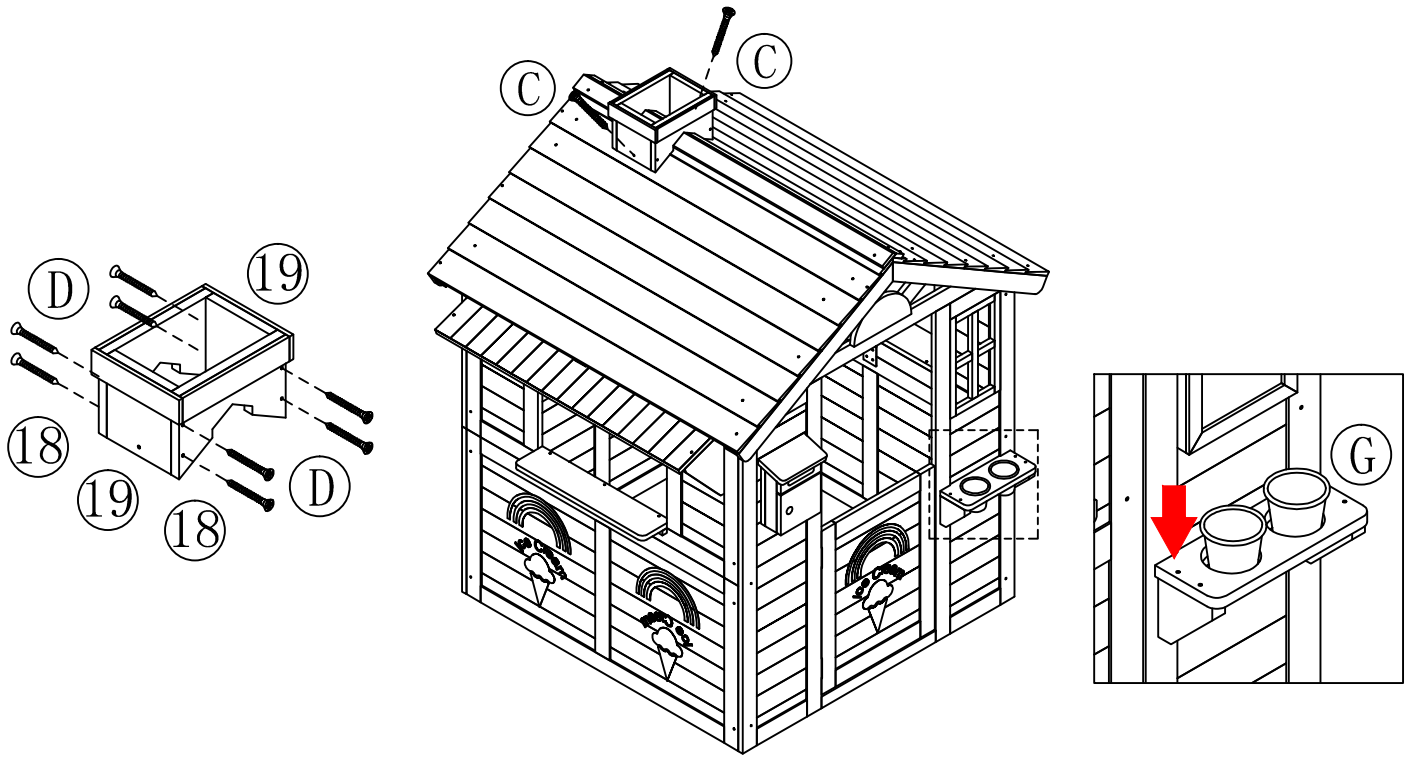
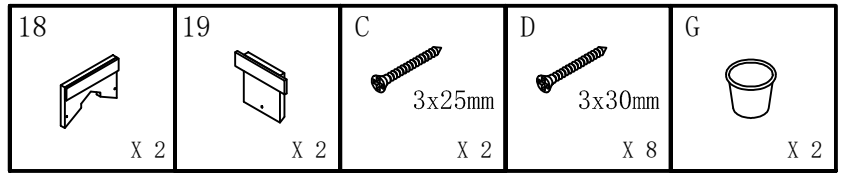
13



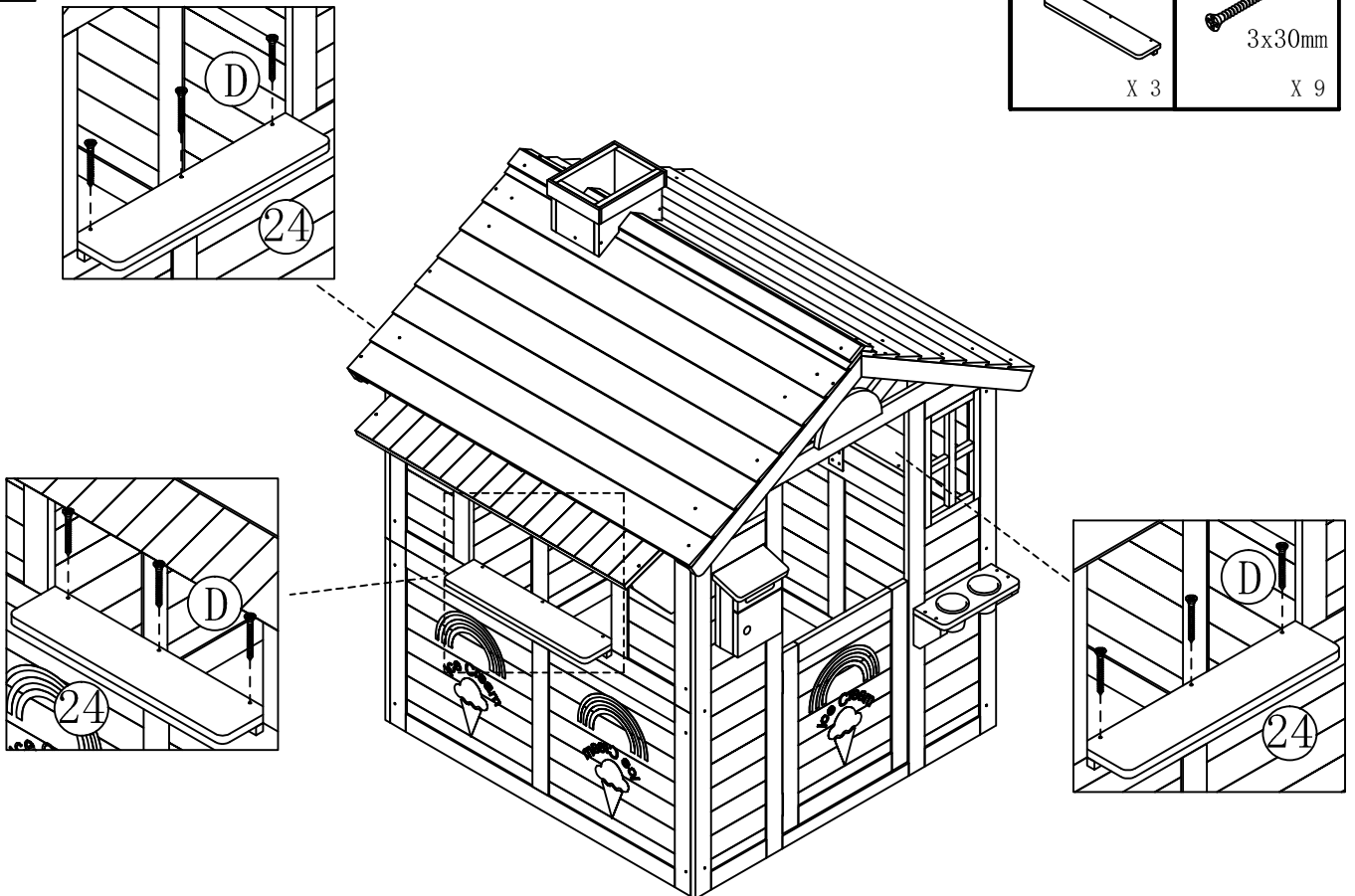
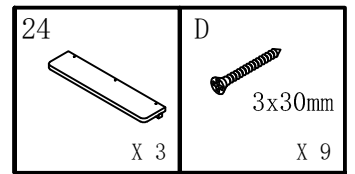
14



15



16





Scan for terms
and conditions

+31(0)318 692 221
www.swingking.nl

Swing King IS A BRAND OF:

HAPRO INTERNATIONAL

