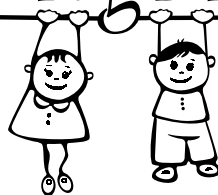


# Sepp

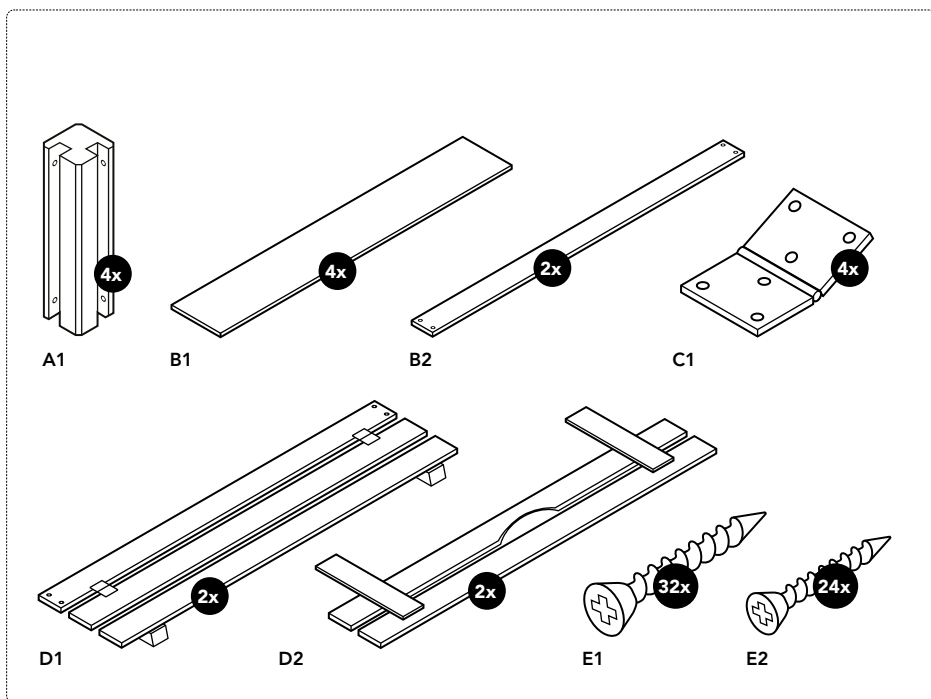
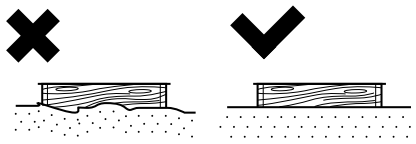
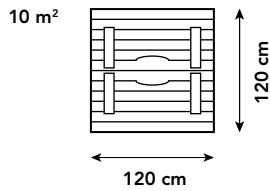
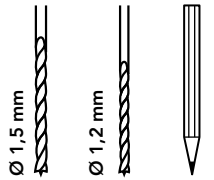
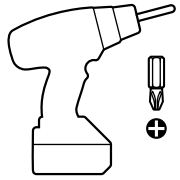
ART. NR. 7850035



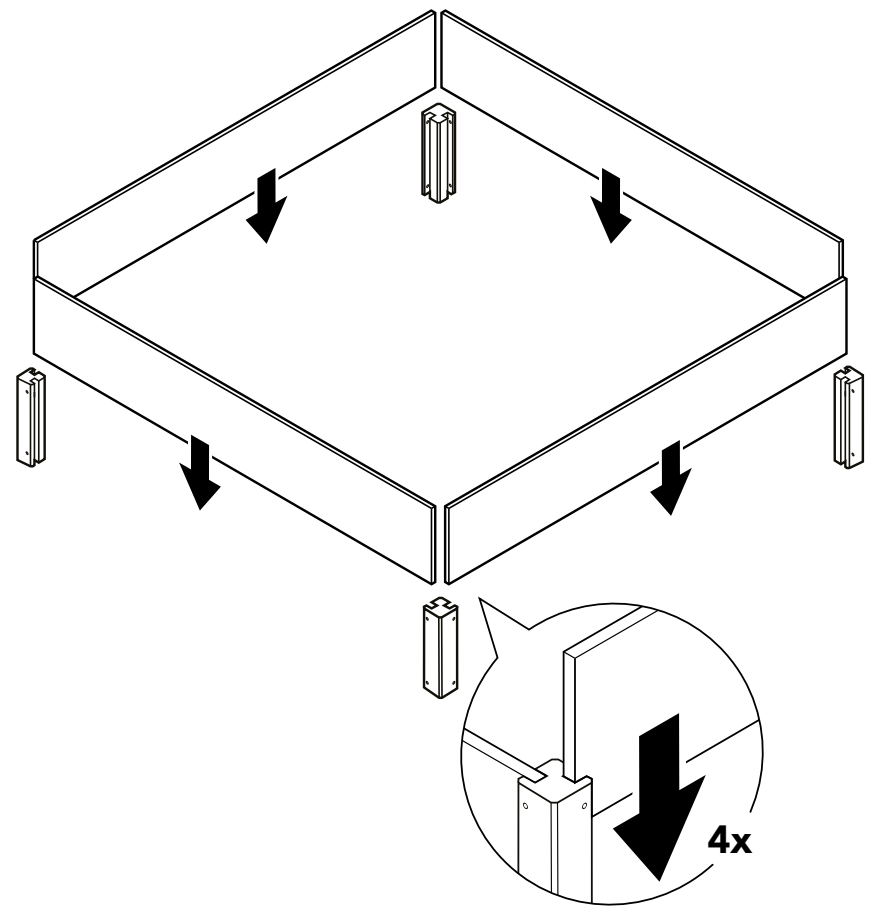
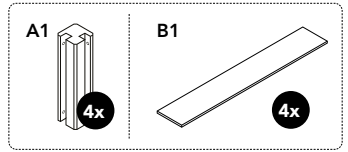
Swing King



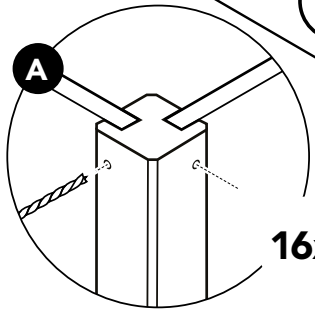
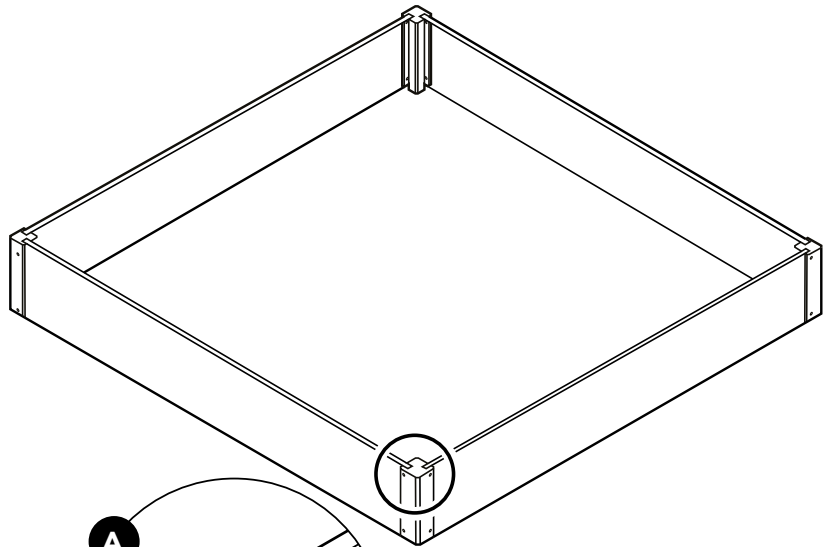
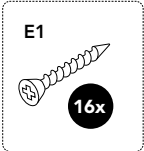
# Sepp



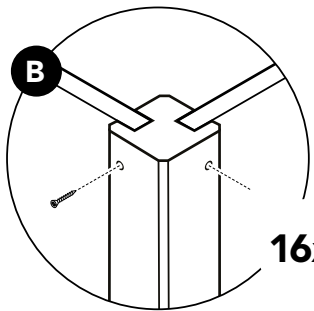
1



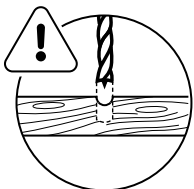
2



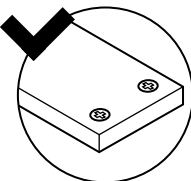
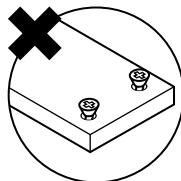
16x



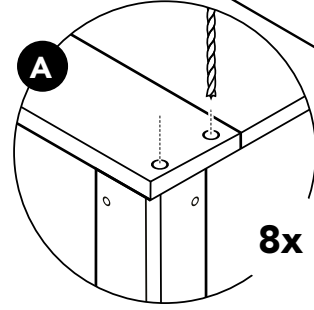
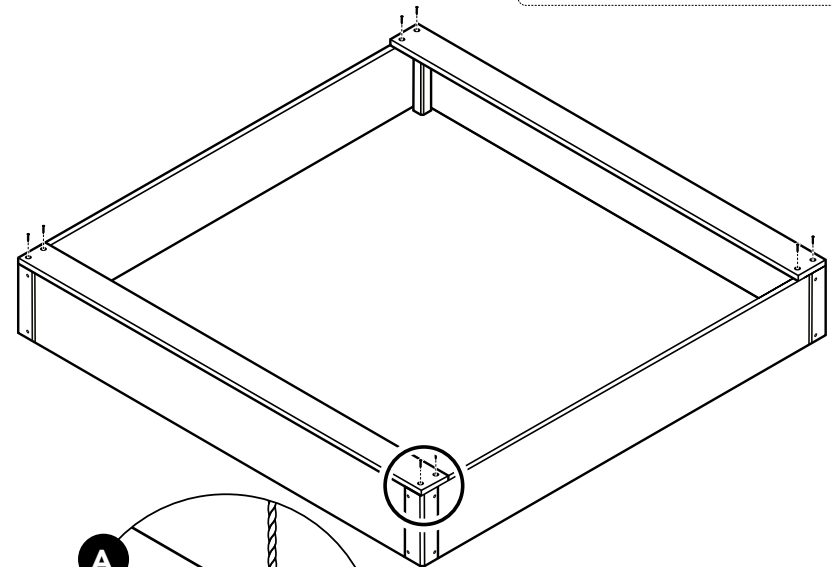
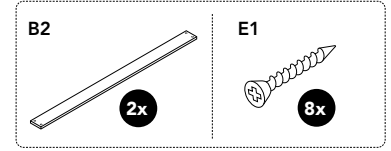
16x



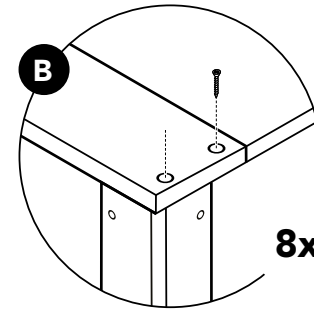
Ø 1,5 mm



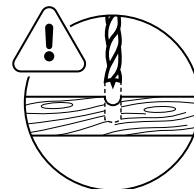
3



8x

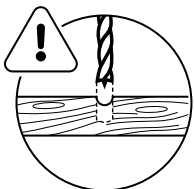
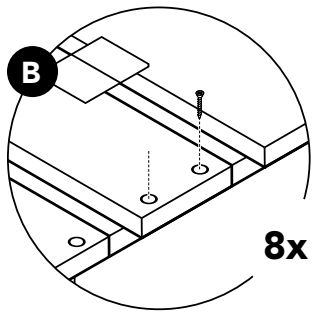
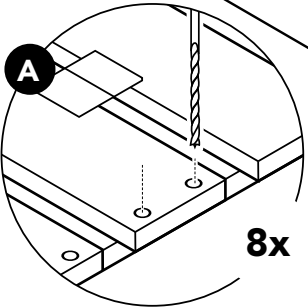
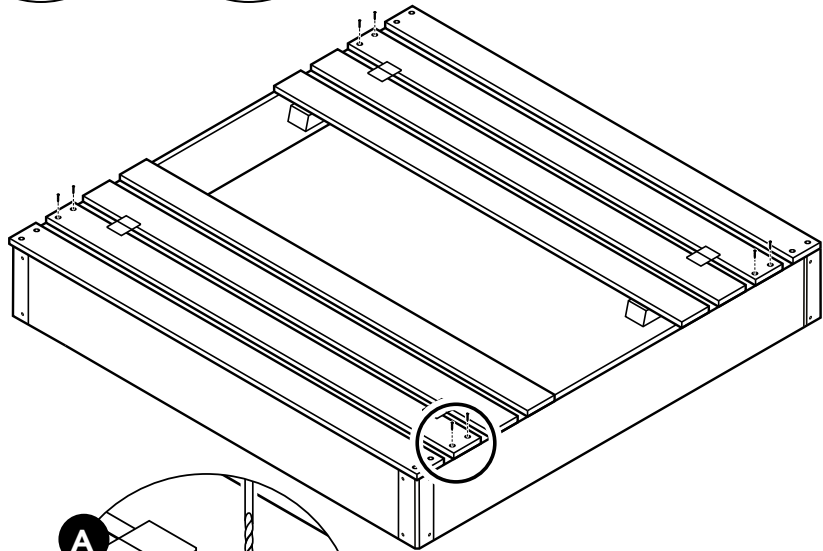
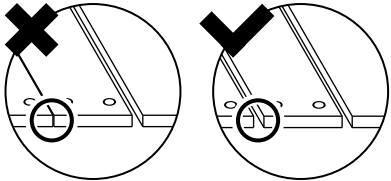
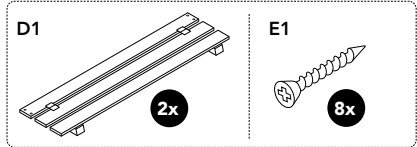


8x



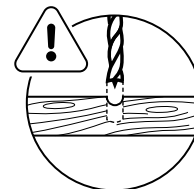
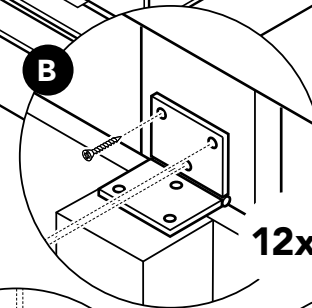
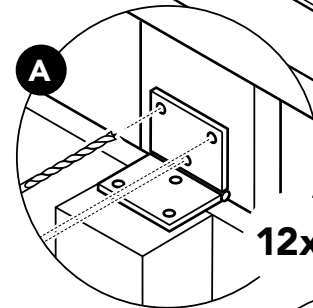
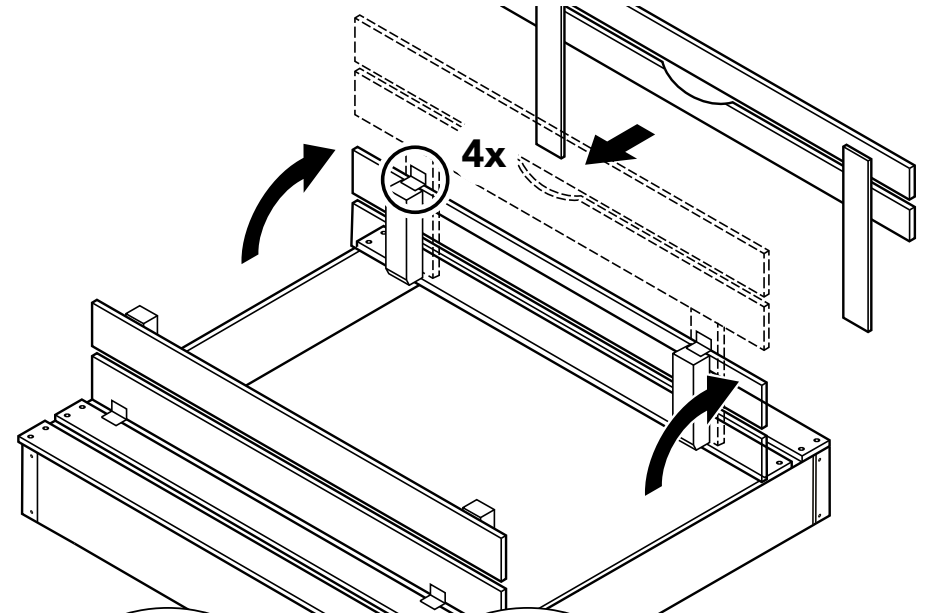
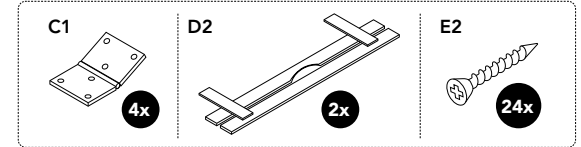
Ø 1,5 mm

4

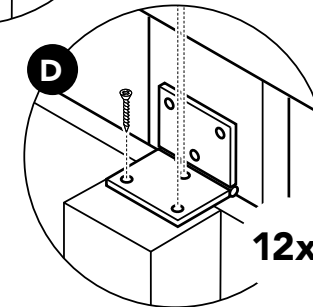
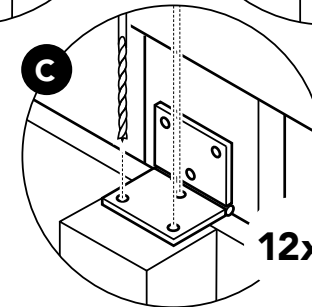


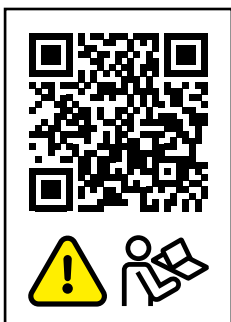
Ø 1,5 mm

5



Ø 1,2 mm





+31(0)318 692 221  
[www.swingking.nl](http://www.swingking.nl)

Swing King IS A BRAND OF:

**HAPRO** INTERNATIONAL

Morsestraat 6, 6716 AH Ede - The Netherlands

UK  
CE

